

# INSTALLATION INSTRUCTIONS

## WAVE™

### ONE-PIECE ELONGATED SMART TOILET

WITH INTEGRATED BIDET

## #ST1W



# CONTENT

INSTALLATION	IMPORTANT SAFEGUARDS .....	3
	TECHNICAL SPECIFICATION .....	5
	LIST OF MATERIALS .....	6
	DIMENSIONS/TECHNICAL DATA .....	7
	PARTS IDENTIFICATION .....	8
	INSTALLATION OF CERAMIC TOILET .....	9
	PREVIOUS PREPARATION .....	11
	AUTO LID OPEN/CLOSE .....	12
MAINTENANCE	DAILY MAINTENANCE .....	13
	1. MAIN UNIT CARE AND MAINTENANCE	
	2. SPRAY NOZZLE MAINTENANCE AND CARE	
	EMERGENCY TROUBLESHOOTING .....	14
1.ELECTRICITY AND WATER SUPPLY CUT-OFF		
2.FAILURE OF REMOTE CONTROL		
3.WHEN THE PRODUCT IS LEFT UNUSED FOR LONG TIME		
OTHERS	FUNCTION KEYS DESCRIPTION .....	15
	TROUBLESHOOTING GUIDE .....	16

# IMPORTANT SAFTY GUARDS

## READ ALL INSTRUCTIONS BEFORE UNPACKING THE PRODUCT

When using electrical products, especially when children are present, basic safety precautions should always be followed, including the following:

The appliance is not to be used by persons (including children) with reduced physical, sensory or mental capabilities, or lack of experience and knowledge, unless they have been given supervision or instruction.

Children being supervised not to play with the appliance.

This appliance can be used by children from 8 years and older and people with reduced physical, sensory or mental capabilities or lack of experience and knowledge if they have been given supervision or instruction concerning use of the appliance in a safe way and understand the hazards involved.

Children shall not play with the appliance.

Cleaning and user maintenance shall not be made by children without supervision.

### DANGER!



To reduce the risk of electrocution:

1. Do not use while bathing.
2. Do not place or store product where it can fall or be pulled into a tub or sink.
3. Do not place in or drop into water or other liquid.
4. Do not reach for a product that has fallen into water. Unplug immediately.
5. Do not wash the main unit or electrical plug with water or detergent.
6. Do not handle the electrical plug with wet hands.
7. Do not put a hand or other staff over the outlet of air dryer or block the outlet of air dryer.
8. Never disassemble, repair or modify this product.
9. During installation, disassembly, reaire and maintenance of the product, the power plug must be switched off and water supply be shut off.

### CAUTION!



To reduce the risk of burns, fire, or injury to persons.

1. Close supervision is necessary when this product is used by, on, or near children or invalids.
2. Use this product only for its intended use as described in this manual book. Do not use attachments not recommended by the manufacturer.
3. Never operate this product if it has a damaged cord or plug, if it's not working properly, if it has been dropped or damaged, or dropped into water.
4. Keep the cord away from heated surfaces.
5. Never use while sleeping or drowsy.
6. Never drop or insert any object into any opening or hose.
7. Do not use outdoors or operate where aerosol (spray) products are being used or where oxygen is being administered.
8. Connect this product to a properly grounded outlet only. See Grounding Instructions.
9. Do not throw cigarettes and other burning stuff into toilet, otherwise it might cause fire.
10. This product is electric appliance, it must be placed far away from water. Please don't drench urine and other liquid to it.
11. It is prohibited to use other electric appliances in the same socket.
12. It is forbidden to use the power extension or unstable loose outlet.
13. The old aging water supply hose can not be used, otherwise it might cause leakage, fire or electrical shock. Installation of the bidet seat should include specified components and new water supply hose.

# IMPORTANT SAFTY INSTRUCTIONS

## CAUTION!



Indicates that failure to follow the instruction may cause body injury or property damage

1. Do not install or use this product in wet places as steam room etc.
2. It is recommended to use Tamper-Resistant Self-Test GFCI Outlet. 110V-120V, 50/60Hz 15A. Power plug must be equipped with ground fault circuit interrupter.
3. When it thunders, it is strongly recommended to unplug.
4. Do not stand on ceramic toilet.
5. Ceramic toilet must install floor fixing bolt.
6. Do not stand on product unit, seat and cover.
7. This product is equipped with soft-closing seal cover. Heavy pressing, pushing or leaning against the seat cover when using the product, may damage the soft-closing damper.
8. Do not use sharp detergent, toilet cleanser and scrubbing brush to clean the product.
9. Exposure to direct sunlight is prohibited.
10. Only use tap water or potable water; otherwise it may cause chafing.
11. Do not connect water supply to heater outlet. Make sure inlet water temperature at 37-95 F°.
12. When the room temperature is under zero degree, please dry up the water tank, to avoid freezing.
13. Raise rest room temperature to prevent the toilet from damage due to freezing.
14. When move the product from cold or wet environment into normal room temperature, wait for 2 hours until the condensation water is fully volatilized. Doing so can prevent the product from electrical short-circuit.
15. When not using the product over 3 days, drain the water out of the container and unplug from the wall outlet.
16. Stop using the product and shut off the power when product malfunctions.

## GROUNDING INSTRUCTIONS

**This product should be grounded. In the case of an electrical short circuit, grounding reduces the risk of electric shock by providing an escape wire for the electric current. This product is provided with a cord having a grounding wire with a grounding plug. The plug must be plugged into an outlet that is professionally installed and grounded.**

*DANGER – Improper use of the grounding plug can result in a risk of electric shock.*

*If repair or replacement of the cord or plug is necessary, do not connect the grounding wire to either flat blade terminal. The cable with insulation having an outer surface that is green with or without yellow stripes is the grounding wire.*

*This product is factory equipped with a specific electric cord and plug to permit connection to a proper electrical circuit. Make sure that the product is connected to an outlet having the same configuration as the plug. No adapter should be used with this product. Do not modify the plug provided if it will not fit the outlet, have the proper outlet installed by a qualified electrician. If the product must be reconnected for use on a different type of electric circuit, the reconnection should be made by qualified service personnel.*

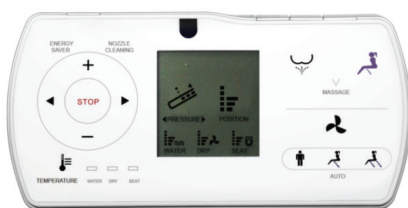
# TECHNICAL SPECIFICATION

<b>Main Unit</b>	Rating pressure	110V-120V,50/60Hz
	Rating power	1200W-1400W
	Water pressure range	Minimum water pressure 0.07MPa (20L/min. flow). Maximum water pressure 0.8MPa (Hydrostatic pressure).
	Electrical wire	length is about 1.8m
<b>Toilet</b>	Flush volume	1.6/1.1Gpf(6.0/4.1Lpf)
	Flushing mode	Siphonic jet
	Hole distance	305mm
	Outlet outside diameter	88mm
	Drainage method	Down-drain
<b>Cleaning device</b>	Heating power	1200W
	Water temperature	6 different level adjustment
	Water volume	5 different level adjustment
	Cleansing mode	Rear cleaning/Rear massage,Front cleansing for ladies
	Spray cleansing location	5 different level adjustment
	Water pressure protector	Pressure stabilizer, Automatic pressure discharging
	Anti-fouling device	Speedy water discharge device, Automatic cleansing nozzle, Anti-syphon device, Anti-backflow device, Filter device
Safety device	Temperature sensor, fail safe device, Bimetallic thermostat, Temperature fuse, Grounding protection, Leakage protector	
<b>Drying device</b>	Warm wind speed	Over 4 M/S
	Warm wind temperature	6 different level adjustment
	Heating power	250W
	Safety device	Temperature sensor, Bimetallic thermostat, temperature fuse
<b>Deodorization</b>	Deodorization Method	Activated carbon or photocatalyst absorption
<b>Heated Seat</b>	Surface temperature	6 different level adjustment
	Heating power	50W
	Open and close device	Quiet soft-closing device,Auto open and close
	Heated burning protection	The seat temperature will automatically lower down to level 1 in 10 minutes after using
	Safety device	Seat sensor, Temperature sensor, Bimetallic thermostat, Temperature fuse
<b>Caring device</b>	Night light assembly	Intelligent, often in the off state
	User ID setting	To avoid disturbance from remote controls by multi-user
	Automatic flushing	Toilet will automatically flush as user walks away from bowl
	Auto lid open/ close (optional)	Intelligent lid open/close or by remote controller

# LIST OF MATERIALS



Main Unit



Remote controller components



Sealing Flange



Installation Manual

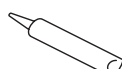


Installation Cardboard

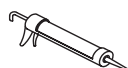
# TOOLS REQUIRED FOR INSTALLATION



Soft Cloth or Blanket



Silicone



Silicone/Caulk Gun



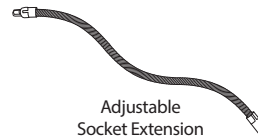
Tape Measure



Adjustable Wrench



Channel Lock Pliers



Adjustable Socket Extension



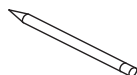
Hand Wrench



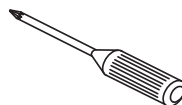
Safety Glass



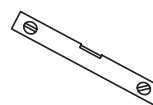
Knife



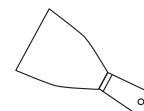
Pencil/Marker



Philips Screwdriver

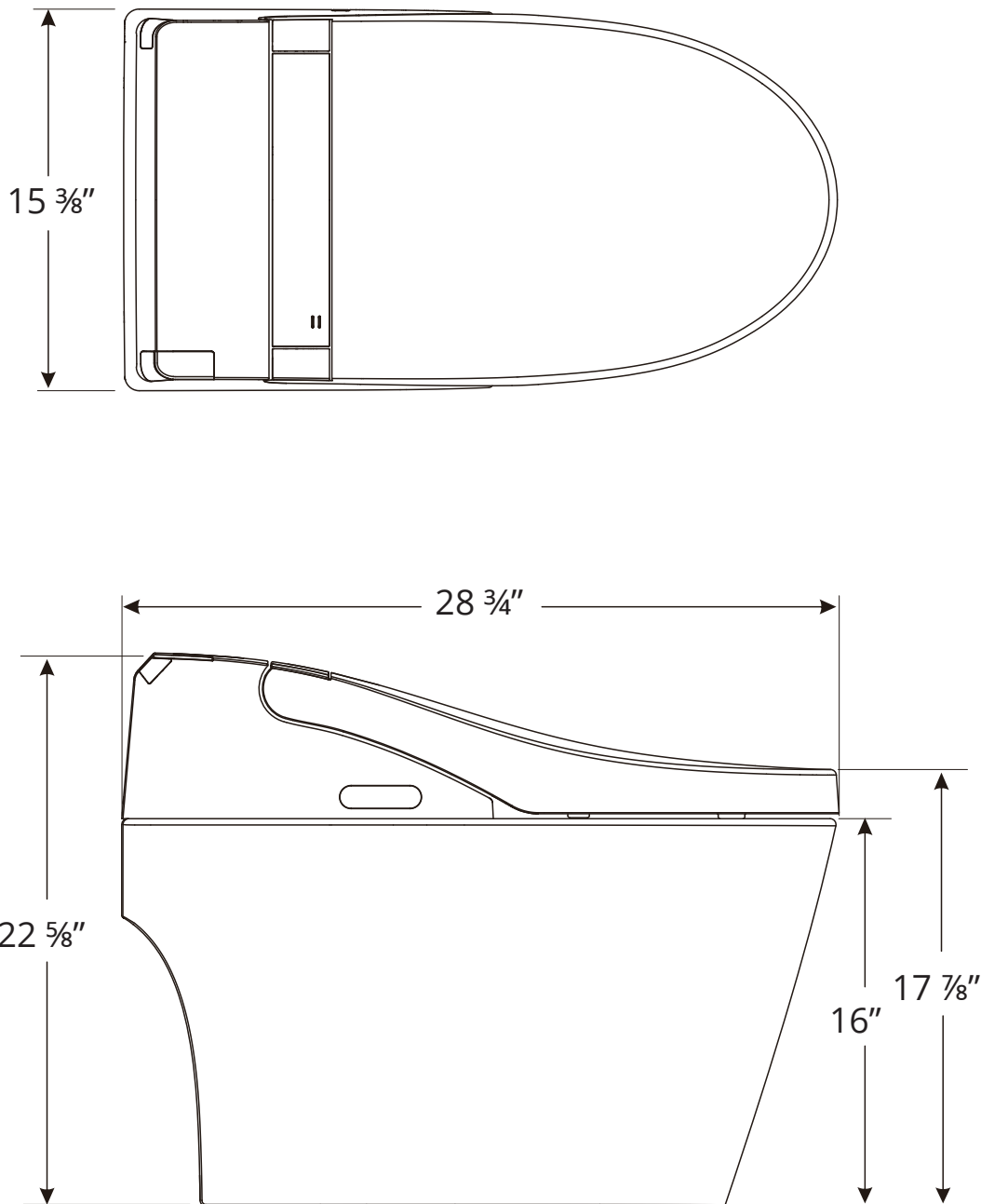


Level



Putty Knife

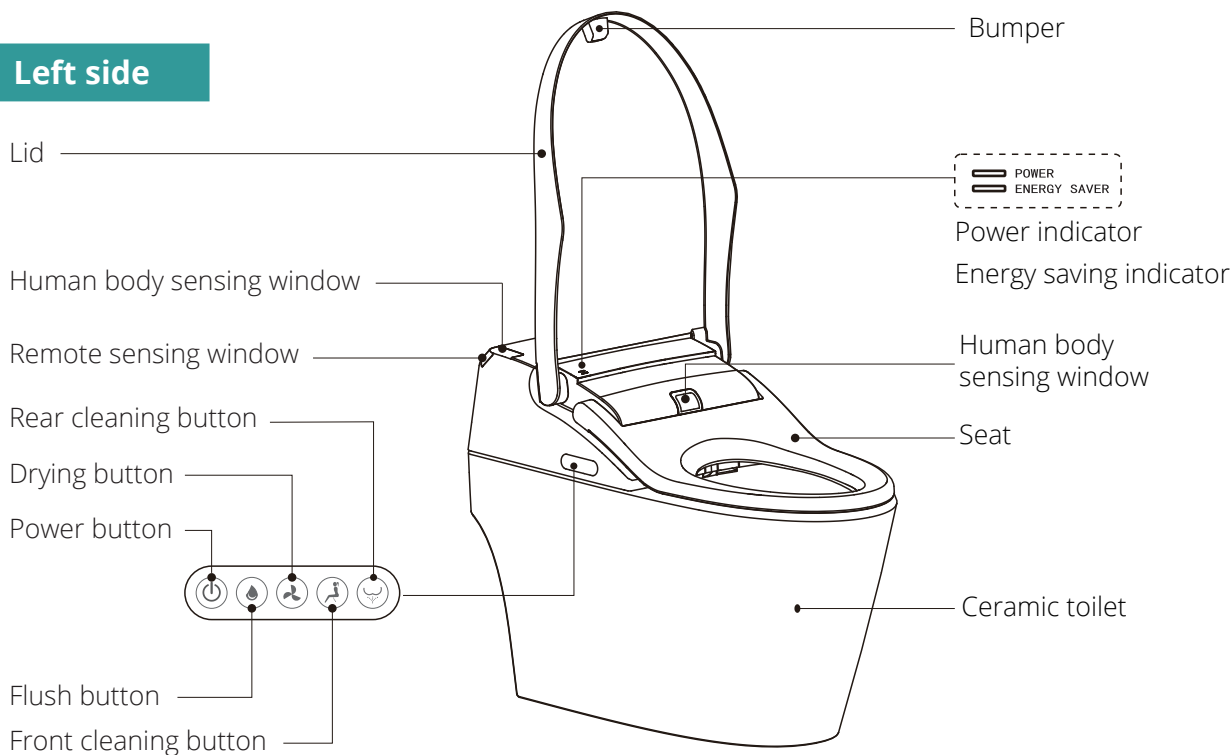
## DIMENSIONS/TECHNICAL DATA



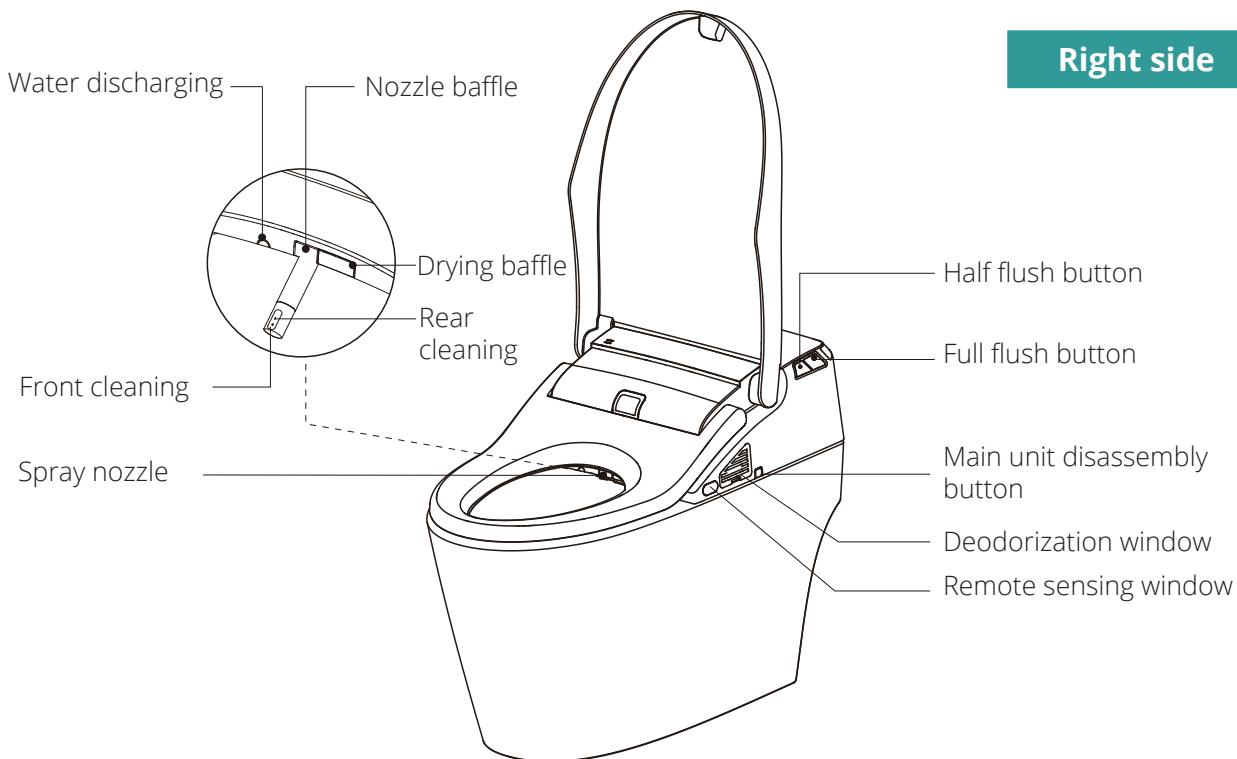
**ATTENTION!** Dimensions may vary by up to  $\frac{3}{8}"$ . It is highly recommended to pull all dimensions of actual model for installation and measuring purposes.

# PARTS IDENTIFICATION

## Left side



## Right side





# INSTALLATION OF CERAMIC TOILET



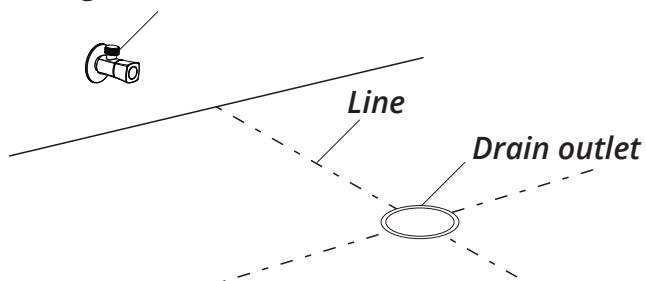
## IMPORTANT!

Shut off main water supply prior to installation!

### 1. Water Supply Angle Valve Installation

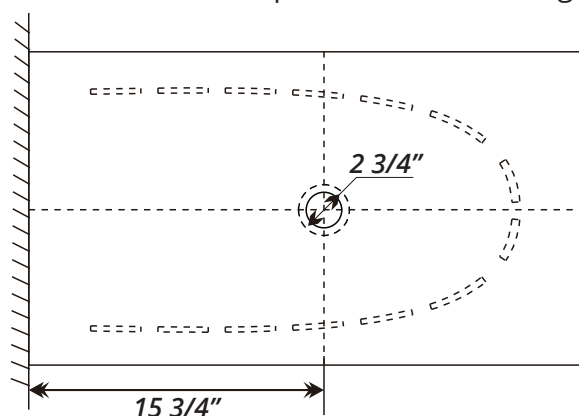
Draw drain outlet centerline on the floor, Install angle valve at proper position on wall according to dimension of toilet.

#### Angle valve



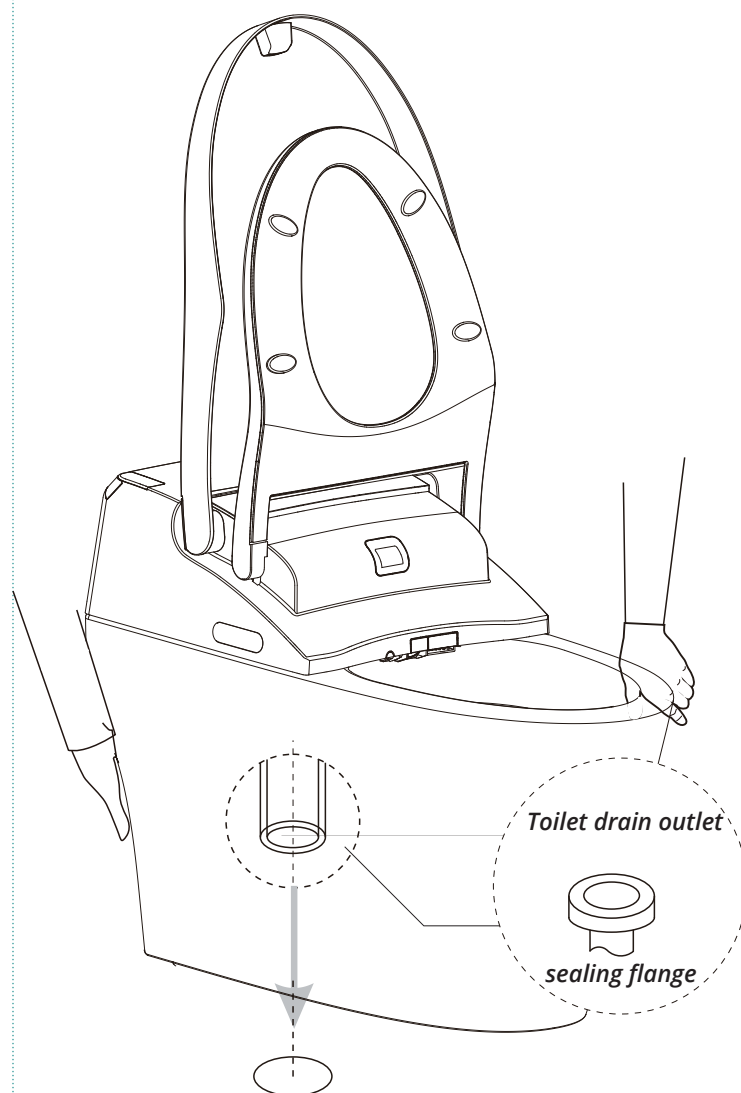
### 2. Cardboard installation

- Align cardboard with the centerline of drain outlet.
- Draw contour line according to cardboard;
- Please mark the position of floor fixing bolts.



### 3. Ceramic toilet installation

- Install sealing flange into drain outlet;
- Install ceramic toilet on corresponding position according to contour line.

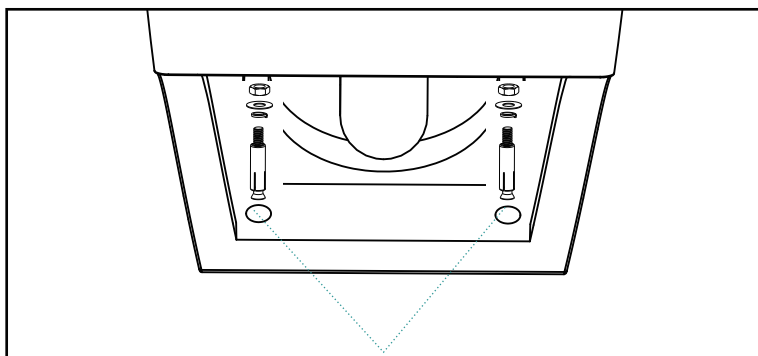


**CAUTION!**



2 PEOPLE ARE REQUIRED TO LIFT AND DURING ENTIRE INSTALLATION OF THIS PRODUCT

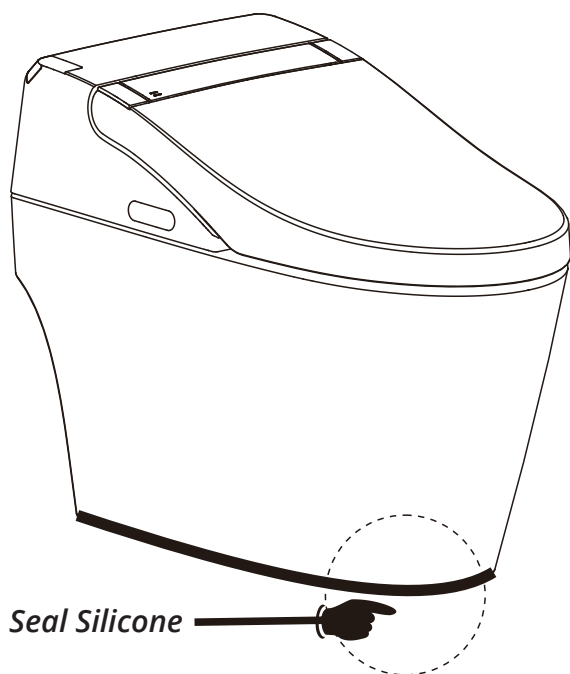
# INSTALLATION OF CERAMIC TOILET



**Note:** Recommend strongly to install floor fixing bolt! It can make product more stable to avoid damage of toilet or personal injury because of shifting or turning over by misusing (squat or stand on toilet).

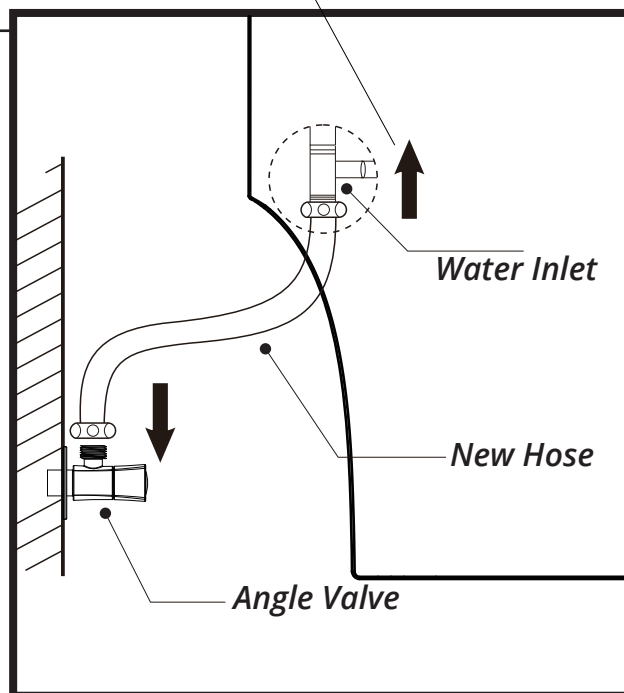
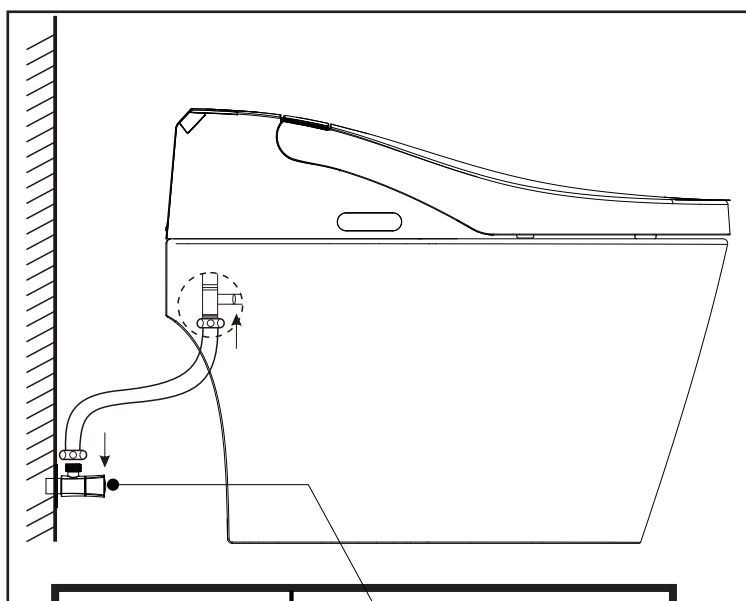
## 4. Glass cement application

- Glue the edge of toilet bottom with seal silicone.



## 5. Installation of hose

Connect water inlet and angle valve by new hose.



**NOTE!**

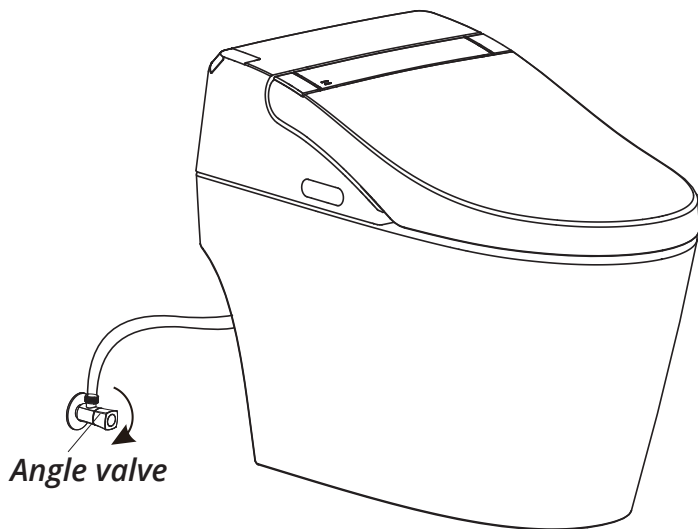


PLEASE CLEAN THE DRAIN OUTLET;  
PLEASE MAKE SURE CERAMIC TOILET OUTLET SITS PERFECTLY ON DRAIN OUTLET.

# PREVIOUS PREPARATION

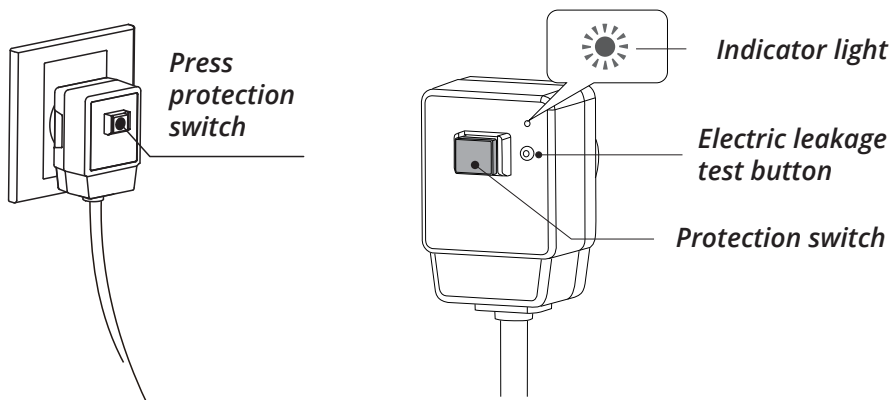
## 1. Turn on the angle valve

Check thread connection, Make sure no leakage is found.



## 2. Switch the power supply

Insert electric leakage protection plug into power socket.



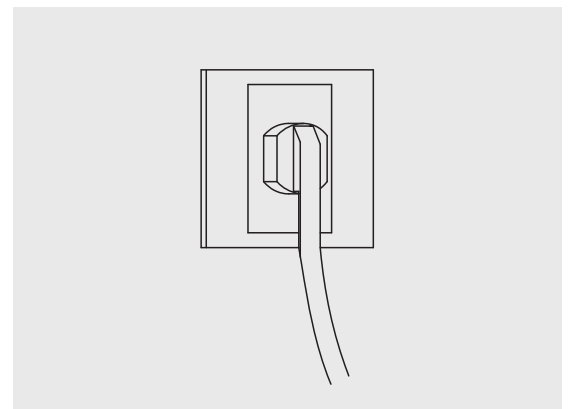
If it's an electric leakage protection plug, press protection switch, indicator light is on which means there is electricity. Press electric leakage test button prior to usage, protection switch bounces to show that protection function works normally.

## 3. Self Inspection

1. The main unit buzzer rings first "click", power indicator (**POWER**) and Energy-conservation indicator (**ENERGY SAVER**) flash. Power indicator lights on and Energy-conservation indicator gets off to start self-inspection.

2. The main unit buzzer rings second "click" to indicate finish of self-inspection, power indicator lights on, and Energy-conservation indicator keeps off.

3. Start function mode for normal usage.

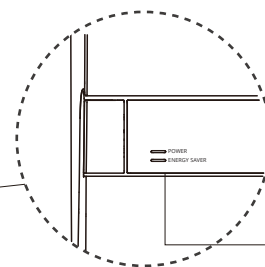
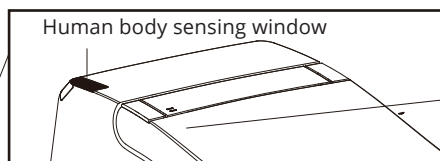
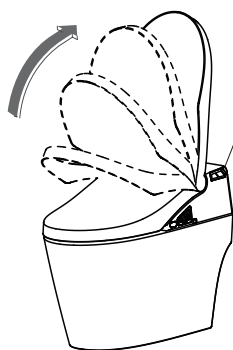
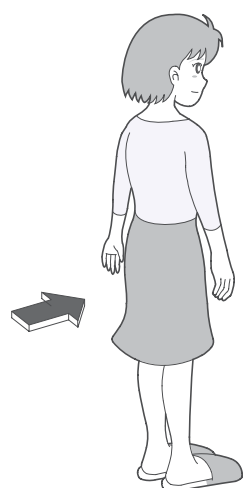


If it's not an electric leakage protection plug, insert power plug into power socket directly.

# AUTO LID OPEN/CLOSE

If you purchase the intelligent toilet with auto lid open/close function, the product can achieve the function of auto lid open/close. The factory default of this function is on closed situation, so please start the auto lid open/close function by using remote controller.

## 1. When user close to the toilet

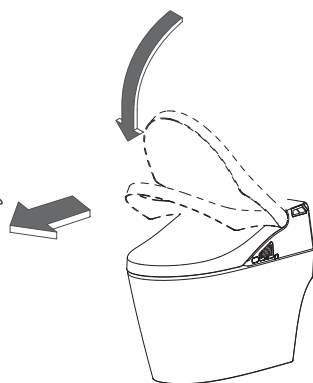
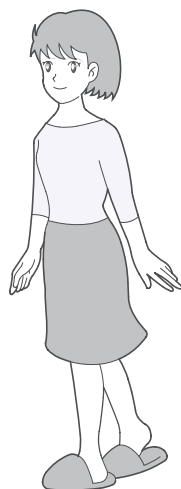


POWER  
ENERGY SAVER

1. When user is close to the seat, and the human body sensing window detects the action of user, the power and energy-conservation indicator lights on, and then the seat cover opens automatically.

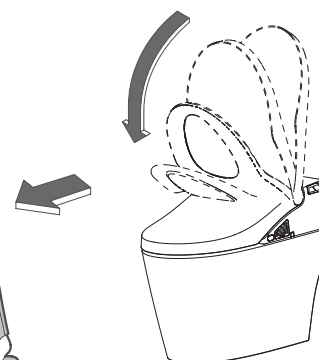
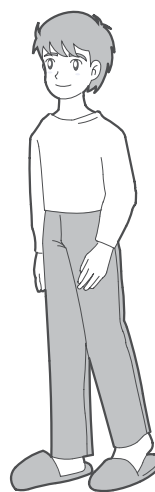
2. In summer, when the room temperature is above 86°F, the temperature difference between user and surrounding will become smaller, so the sensing window may not detect the action, please use controller to open/close the seat cover.

## 2. Using toilet



The seat cover closes automatically 60 seconds later after user leaves.

## 3. When men stand to use toilet

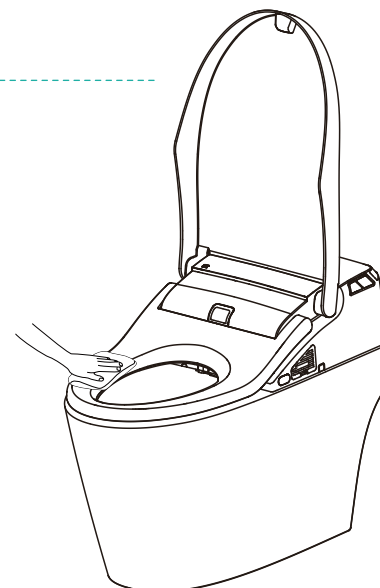


1. Open the seat by remote controller or hand.  
2. The lid will be closed 60 seconds later after user leaves.

# DAILY MAINTENANCE

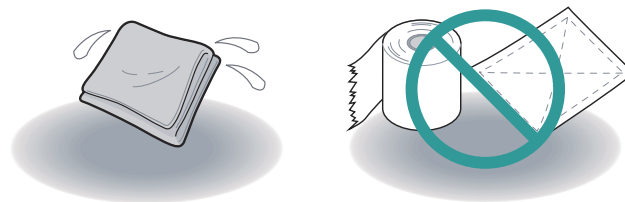
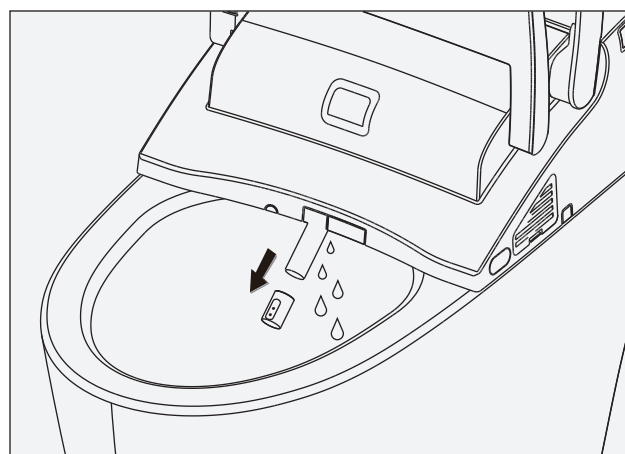
## Main unit care and maintenace

1. Shut off power supply at maintenace.
2. Turn the seat upward open, press down the button located on the right side of main unit and pull out the seat. Wipe the stain with a soft damp cloth.
3. Safety self-inspection the product after cleaning, reconnect the toilet with the power supply.



## Spray nozzle maintenance and care

1. Nozzle self-cleaning Press: "nozzle cleaning" button and nozzle will move forward and self-clean.
2. Spray nozzle disassemble When the wand moves forward, the nozzle can be disassembled to clean.
3. Use soft cloth or soft brush to clean Do not pull or push the wand,
4. Nozzle assembly: Re-install the nozzle to the wand and press "nozzle cleaning" button, then the nozzle will move back to the original position. to avoid damage.



### IMPORTANT!

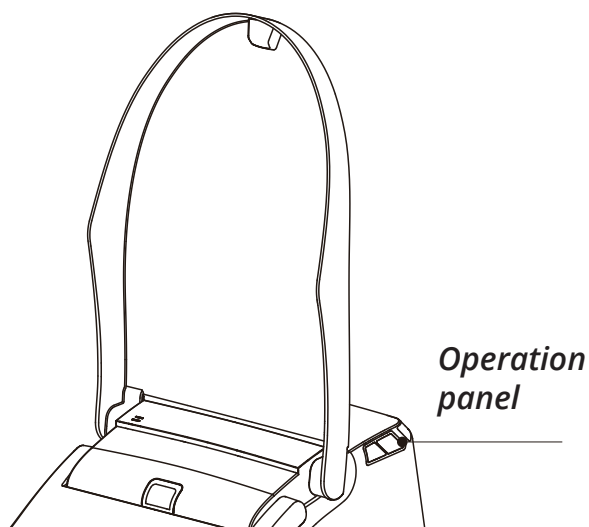
**DO NOT USE:** Abrasive cleaners such as: acid, ammonia, bleach, and similar solutions. Use of such solutions may cause corrosion, finish peeling, and/or dull the surface.

**DO NOT USE:** Abrasive sponges or cloth. Never use steel, wool, or wired brushes that will permanently scratch the surface.

# EMERGENCY TROUBLESHOOTING

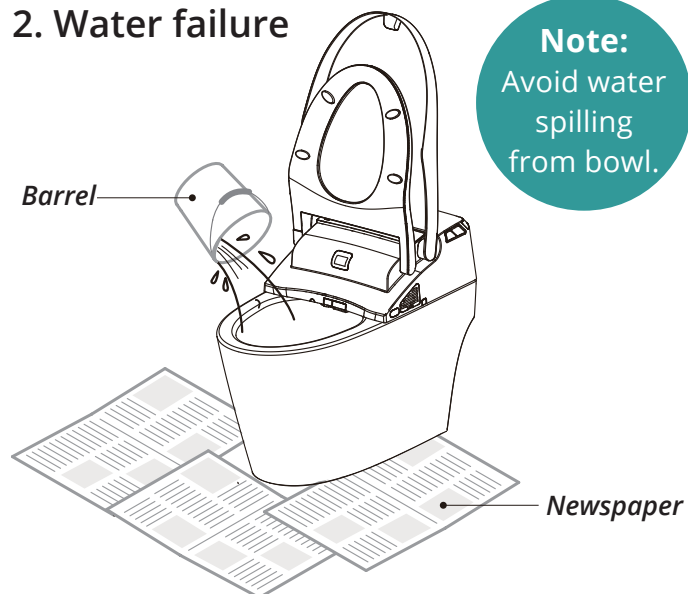
## Electricity and water supply cut-off

### 1. Power failure



Manually press button of full/half flush to perform the toilet flushing.

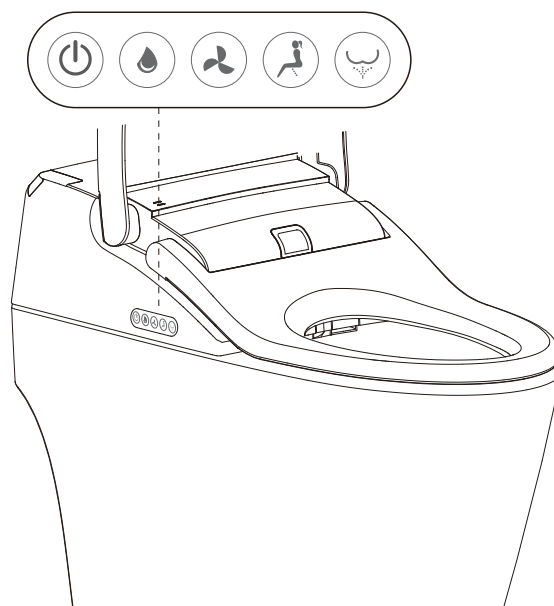
### 2. Water failure



Put around 8L water into a barrel and flush the bowl of ceramic.

### 3. Failure of remote control

1. Operate the panels on ebidet seat to perform.
2. Battery replacement
  - Press the "power" button on panel and electricity indicator will turn off.
  - Take remote control from hanger.
  - Open battery cover to replace battery and put back to hanger.
  - Press the "power" button again and electricity indicator will turn on.



Remarks: When replacing the battery, the automatic function and timing function will be cancelled and need to be reset.

# EMERGENCY TROUBLESHOOTING

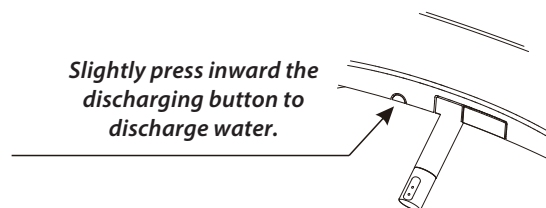
## 4. When the product is left unused for long time

Especially in winter season, the water inside the tank should be discharged to avoid freezing.

### To discharge water:

1. Turn off the water supply angle valve
2. Cut off the electricity
3. Discharge water
4. Handle the remaining water in bowl

It is suggested to put some antifreeze into water inside the bowl.



**Note:** Before water discharging, the power must be cut off!

# ILLUSTRATION OF MAIN UNIT KEYS




	<b>Power</b>	<ol style="list-style-type: none"> <li>1. Long press "power" button to enter standby mode; and then quick press "power" button to restore functional mode.</li> <li>2. When people sit, press "power" button to stop the function of rear, front cleaning or drying. When no one sits, press "power" button to switch between function mode and power save mode.</li> </ol>
	<b>Flush</b>	Press "flush" button to activate full flushing.
	<b>Dry</b>	Press "dry" button, warm wind will come out. After a circle or user leaves the seat, it will automatically stop.
	<b>Front</b>	Press "front cleaning" button, the water will come out to clean the front portion of body. It will automatically stop after a circle of cleaning. If press "stop" or "power" button when using, the function will stop immediately.
	<b>Rear</b>	<ol style="list-style-type: none"> <li>1. Press " rear cleaning" button, the water will come out to clean the rear portion of body. It will automatically stop after a circle of cleaning. If press "stop" or "power" button when using, the function will stop immediately.</li> <li>2. When no one uses, press "rear cleaning" button, then the wand will stretch out to clean the nozzle and spray lance.</li> </ol>

### Remark:

1. When main unit is in functional mode, the light of Power goes on; When in energy save function, the light of Power goes off, and energy saver lights on; When in standby mode, both lights are off.
2. The default setting of all function is on middle level, after using controller, shift to the level setted last time.

# TROUBLESHOOTING GUIDE

Problem	Cause	Solution
<b>No flushing</b>	Water supply hose buckling causes block	Solve the buckling
	Fill valve is off	Turn on the fill valve
	Water supply is cut off	Connect water supply and wait for the water
<b>Poor flushing</b>	Water supply hose buckling causes partial block	Solve the buckling
	Fill valve is not fully turned on	Turn on the fill valve fully
	Filter is dirty and causes block	Clean the filter
<b>The water isn't hot</b>	The water temperature is setted on normal temperature level	Reset the water temperature
<b>Seat temperature is not hot</b>	The seat temperature is setted on normal temperature level	Reset the seat temperature
	In standby mode	Shift to function mode for 3 minutes
<b>Wind temperature is not hot</b>	The wind temperature is setted on normal temperature level	Reset the wind temperature
<b>No wind out</b>	In standby mode or power save mode	Shift to function mode to use dry function
<b>spray wand cannot retracted</b>	Power off	Push back the wand lightly & wait for power
	Get stuck by impurities	Clear away the impurities
<b>Spray wand cannot stretch out</b>	Power off	Push back the wand lightly & wait for power
	Do not sit in sensing area	Sit right in the sensing area
<b>Controller cannot display</b>	Reverse the polarity of battery	Reload the battery
<b>Malfunction of deodorization</b>	User doesn't reach the sensing area in seat	Adjust to reach the sensing area
	Deodorization function keeps working after user leaves	It's a normal phenomenon if deodorization function keeps working after user leaves to ensure eliminating smell entirely
 <b>Caution</b>	If the problems cannot be solved as per above methods, please shut-off the power, and contact service providers for maintenance.	
	If the leakage circuit breacker often trips off, it means the products has electricity leakage, so please shut-off the power, and contact service provider for maintenance.	

Retain these installation instructions for future reference!

Thank you for using Fine Fixtures!